

AirLancer Mount (ON)

Assembly instructions

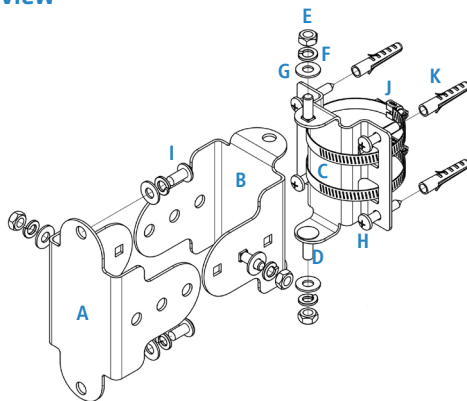
Technical information

The AirLancer Mount (ON) is used for mounting the antennas AirLancer ON-Q60ag, ON-T60ag, ON-Q90ag, and ON-T90ag on a wall or a pole. The AirLancer Mount (ON) allows the antennas to be adjusted horizontally and vertically after assembly.

Package content

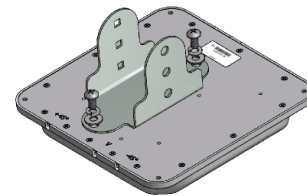
- > 1x mounting bracket (antenna) **(A)**
- > 1x mounting bracket (middle) **(B)**
- > 1x mounting bracket (wall/pole) **(C)**
- > 4x carriage bolt - 1/4" - 3/4" **(D)**
- > 4x hex nut - 1/4" **(E)**
- > 6x washer, spring lock **(F)**
- > 6x washer, flat **(G)**
- > 4x self-tapping screw - 5.5 mm **(H)**
- > 2x round-headed screw - 1/4" **(I)**
- > 2x screw clamp **(J)**
- > 4x dowel 8 mm **(K)**

Overview

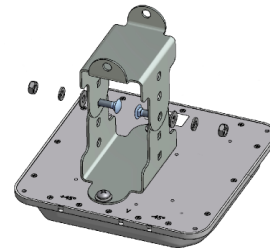


Installation

> Fix the mounting bracket (antenna) **(A)** to the antenna as illustrated in the diagram. Use the two round-headed screws **(I)**, each with a flat washer **(G)** and a spring lock washer **(F)**.

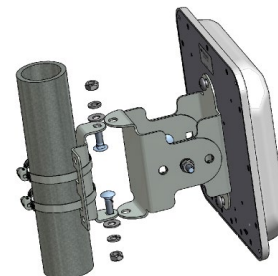


> Connect the mounting bracket (middle) **(B)** to the mounting bracket (antenna) **(A)** with two carriage bolts **(D)**. Lock the bolts into place by using a flat washer **(G)** and a spring lock washer **(F)** for each nut **(E)**.



> The mounting bracket (wall/pole) **(C)** is either attached to a wall with the 4 supplied self-tapping screws **(H)** and dowels **(K)**, or to a pole (Ø 4.2 cm - 5.8 cm) with the two screw clamps **(J)**.

> Continue by attaching the mounting bracket (wall/pole) **(C)** to the mounting bracket (middle) **(B)**.



> In a final step, align the antenna according to your needs and tighten the nuts.