

LANCOM 1783VA Quick Reference Guide



LANCOM
Systems

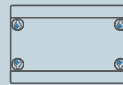


Please observe the following when setting up the device

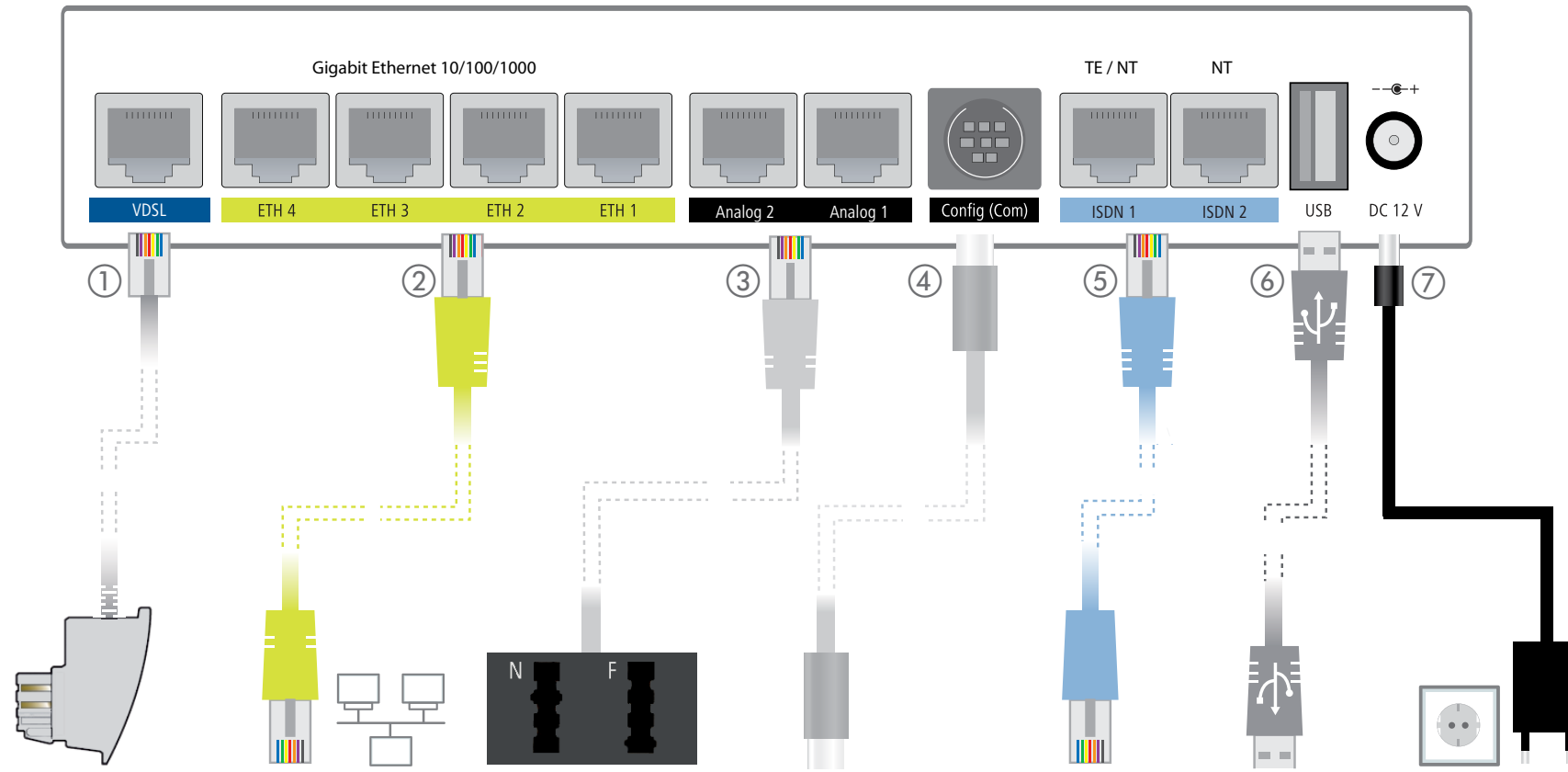
- For devices to be operated on the desktop, please attach the adhesive rubber footpads
- Do not rest any objects on top of the device and do not stack multiple devices



- Keep the ventilation slots on the side of the device clear of obstruction
- In case of wall mounting, use the drilling template as supplied



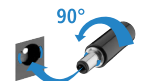
- Rack installation with the optional LANCOM Rack Mount (not supplied)



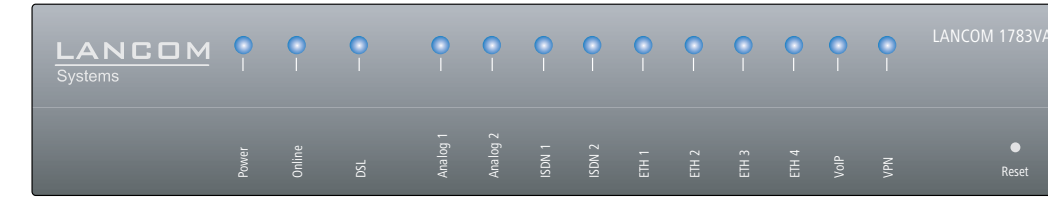
- VDSL interface**
Use the supplied DSL cable for the IP-based line to connect the VDSL interface and the provider's telephone socket.
- Ethernet interface**
Use the cable with the green-colored connectors to connect one of the interfaces ETH 1 to ETH 4 to your PC, IP-telephone or LAN-Switch.
- Analog interface**
Connect analog terminal devices to the analog interfaces either directly via RJ11 or with the help of the enclosed TAE adapter.
- Serial interface**
Configuring the device via the serial interface requires a serial configuration cable (available as an accessory).
- ISDN interface**
ISDN 1
Internal (NT) or external (TE) ISDN-S₀ bus. This feature is controlled by LCOS.

ISDN 2
Internal (NT) ISDN-S₀ bus.

A 100-Ohm resistor for line termination is switchable in LCOS.
- USB interface**
You can use the USB interface to connect a USB printer or a USB drive.
- Power**
When connecting the cable to the device, turn the bayonet connector 90° clockwise until it clicks into place.



Use only the supplied power adapter.



- Power
- Online
- DSL
- Analog
- ISDN 1
- ISDN 2
- ETH 1
- ETH 2
- ETH 3
- ETH 4
- VoIP
- VPN
- Reset

1 Power	
Off	Device switched off
Green, permanently*	Device operational, resp. device paired / claimed and LANCOM Management Cloud (LMC) accessible
Green/red, blinking	No password set. Without a password the configuration data in the device is unprotected.
Red, blinking	Charge or time limit reached
1x green inverse blinking*	Connection to the LMC active, pairing OK, device not claimed
2x green inverse blinking*	Pairing error, resp. LMC activation code not available
3x green inverse blinking*	LMC not accessible, resp. communication error

2 Online	
Off	WAN connection inactive
Green, permanently	WAN connection active
Red, permanently	WAN connection error

3 DSL	
Off	Interface deactivated
Green, permanently	DSL connection active
Green, flickering	DSL data transfer
Red, flickering	DSL transfer error
Red/orange, blinking	DSL hardware error
Orange, blinking	DSL training
Orange, permanently	DSL sync
Green, blinking	DSL connecting

4 Analog	
Off	Interface deactivated
Green, permanently	Interface activated
Orange, blinking	Incoming call
Green, blinking	Connection active

5 ISDN	
Off	Interface deactivated
Green, permanently	D-channel active
Green, blinking	ISDN connected
Red, flickering	ISDN transfer error
Red/orange, blinking	ISDN hardware error
Red, permanently	ISDN connection not activated
Orange, blinking	ISDN connecting

6 ETH	
Off	No networking device attached
Green, permanently	Connection to network device operational, no data traffic
Green, flickering	Data transmission

7 VoIP	
Off	No SIP accounts defined or VCM is off
Green, permanently	All defined and active SIP accounts (outgoing) were successfully registered
Red, permanently	Not all of the defined and active SIP accounts were registered (possibly still in process)
Red or green, inverse flashing	Number of currently used lines (connecting or connected)

8 VPN	
Off	VPN connection inactive
Green, permanently	VPN connection active
Green, blinking	VPN connecting

9 Reset	
Reset switch	Operated e.g. with a paper clip short press > Restart the device long press > Reset the device

*) The additional power LED statuses are displayed in 5-seconds rotation if the device is configured to be managed by the LANCOM Management Cloud.

Hardware	
Power supply	12 V DC, external power adapter (230 V); bayonet connector to secure against disconnection
Power consumption	Max. ca. 14 W
Environment	Temperature range 0–40 °C, humidity 0–95 %; non-condensing
Housing	Robust synthetic housing, rear connectors, ready for wall mounting, Kensington lock; measures 210 x 45 x 140 mm (W x H x D)

Interfaces	
LANCOM 1783VA over ISDN	LANCOM 1783VA over POTS

WAN: VDSL2	> VDSL2 as per ITU G.993.2 profiles 8a, 8b, 8c, 8d, 12a, 12b, 17a > Compatible to Deutsche Telekom VDSL2 > ADSL conformity according to: ADSL2+ over ISDN as per ITU G.992.5 Annex B/J with DPBO, ADSL2 over ISDN as per ITU G.992.3 Annex B, ADSL over ISDN as per ITU G.992.1 Annex B. > Supports one virtual connection at a time in ATM (VPI-VCI pair)	> VDSL2 as per ITU G.993.2; profiles 8a, 8b, 8c, 8d, 12a, 12b, 17a > Compliant to: ADSL2+ over POTS as per ITU G.992.5 Annex A/Annex M with DPBO, ADSL2 over POTS as per ITU G.992.3 Annex A/L, ADSL over POTS as per ITU G.992.1 Annex A > Supports one virtual connection at a time in ATM (VPI-VCI pair)
------------	---------------------------------------------------------------------------------------------------------------------------------------------------------------------------------------------------------------------------------------------------------------------------------------------------------------------------------------------------------------------	-------------------------------------------------------------------------------------------------------------------------------------------------------------------------------------------------------------------------------------------------------------------------------------------------------------------

ETH	4 individual ports, 10 / 100 / 1000 Mbps Gigabit Ethernet, by default set to switch mode. Up to 3 ports can be operated as additional WAN ports. Ethernet ports can be electrically disabled in the LCOS configuration.
-----	-------------------------------------------------------------------------------------------------------------------------------------------------------------------------------------------------------------------------

USB	USB 2.0 hi-speed host port for connecting USB printers (USB print server), serial devices (COM-port server) or USB drives (FAT file system).
-----	----------------------------------------------------------------------------------------------------------------------------------------------

ISDN 1 / ISDN 2	ISDN 1: Internal (NT) or external (TE) ISDN bus. This feature is controlled by LCOS. According to the settings, connect the light-blue ISDN cable either to the NTBA or the ISDN terminal device. ISDN 2: Internal (NT) ISDN bus. Use the light-blue ISDN cable to connect the ISDN device to the ISDN interface.
-----------------	-------------------------------------------------------------------------------------------------------------------------------------------------------------------------------------------------------------------------------------------------------------------------------------------------------------------

Analog 1 / Analog 2	Use the cable of your analog devices to connect them with the analog interfaces. If necessary, use the enclosed adapter.
---------------------	--------------------------------------------------------------------------------------------------------------------------

WAN protocols	
VDSL, ADSL, Ethernet	PPPoE, PPPoA, IPoA, Multi-PPPoE, ML-PPP, PPTP (PAC or PNS) and IPoE (with or without DHCP), RIP-1, RIP-2, VLAN, GRE, L2TPv2 (LAC or LNS), IPv6 over PPP (IPv6 and IPv4/IPv6 dual stack session), IP(v6)oE (autoconfiguration, DHCPv6 or static)

ISDN	DSS1 (Euro-ISDN), PPP, X75, HDLC, ML-PPP, V.110/GSM/HSCSD
------	-----------------------------------------------------------

Declaration of conformity
Hereby, LANCOM Systems declares that this device is in compliance with Directives 2014/30/EU and 2014/35/EU. The full text of the EU declaration of conformity is available at the following internet address:
www.lancom-systems.com/ce/

Package content	
Documentation	Quick Reference Guide (DE/EN), Installation Guide (DE/EN)

Cable	1 Ethernet cable, 3 m (kiwi-colored connectors); 1 ISDN cable, 3 m (light-blue connectors); over ISDN: 1 DSL cable for an IP-based line, 4.25m, over POTS: 1 DSL cable, 3 m (dark-blue connectors)
-------	----------------------------------------------------------------------------------------------------------------------------------------------------------------------------------------------------

Adapters	2 TAE adapters (RJ11 - TAE)
Power adapter	External power supply adapter (230 V), NEST 12 V/1.5 A DC/5, barrel connector 2.1x5.5 mm bayonet, LANCOM item no. 111301 (EU, 230 V); LANCOM item no. 111302 (UK, 230 V)

This product contains separate open-source software components which are subject to their own licenses, in particular the General Public License (GPL). The license information for the device firmware (LCOS) is available on the device's WEBconfig interface under "Extras > License information". If the respective license demands, the source files for the corresponding software components will be made available on a download server upon request.

MOUNTING AND CONNECTING THE DEVICE

TECHNICAL DETAILS

LANCOM, LANCOM Systems and LCOS are registered trademarks. All other names or descriptions used may be trademarks or registered trademarks of their owners. Subject to change without notice. No liability for technical errors and/or omissions. 1118310617