

LANCOM Switch Rack Mount L250

Universal L-shaped mounting bracket for LANCOM 19" switches



With the LANCOM Rack Mount L250 rails, larger LANCOM switches not only fit seamlessly into your network infrastructure, but can also be professionally mounted in a 19" rack with depths of 600 mm, while the required space remains one rack unit. The two L-shaped rails of this rack mount provide rear stabilization for switches with a minimum depth of 370 mm.

- Rack-mounting bracket for professional mounting of LANCOM switches in 19" racks
- Occupies one rack unit in the server rack incl. switch
- Hardened metal with black powder coating
- Dimensions (WxHxD): 46 x 49 x 250 mm
- Suitable for all switches with a depth of at least 370 mm
- Suitable for network racks of max. 600 mm depth

LANCOM Switch Rack Mount L250

Compliant switches

LANCOM GS-3152XP 61100

LANCOM GS-3152XSP 61486

LANCOM GS-3152P 61490

LANCOM GS-3652XP 61878

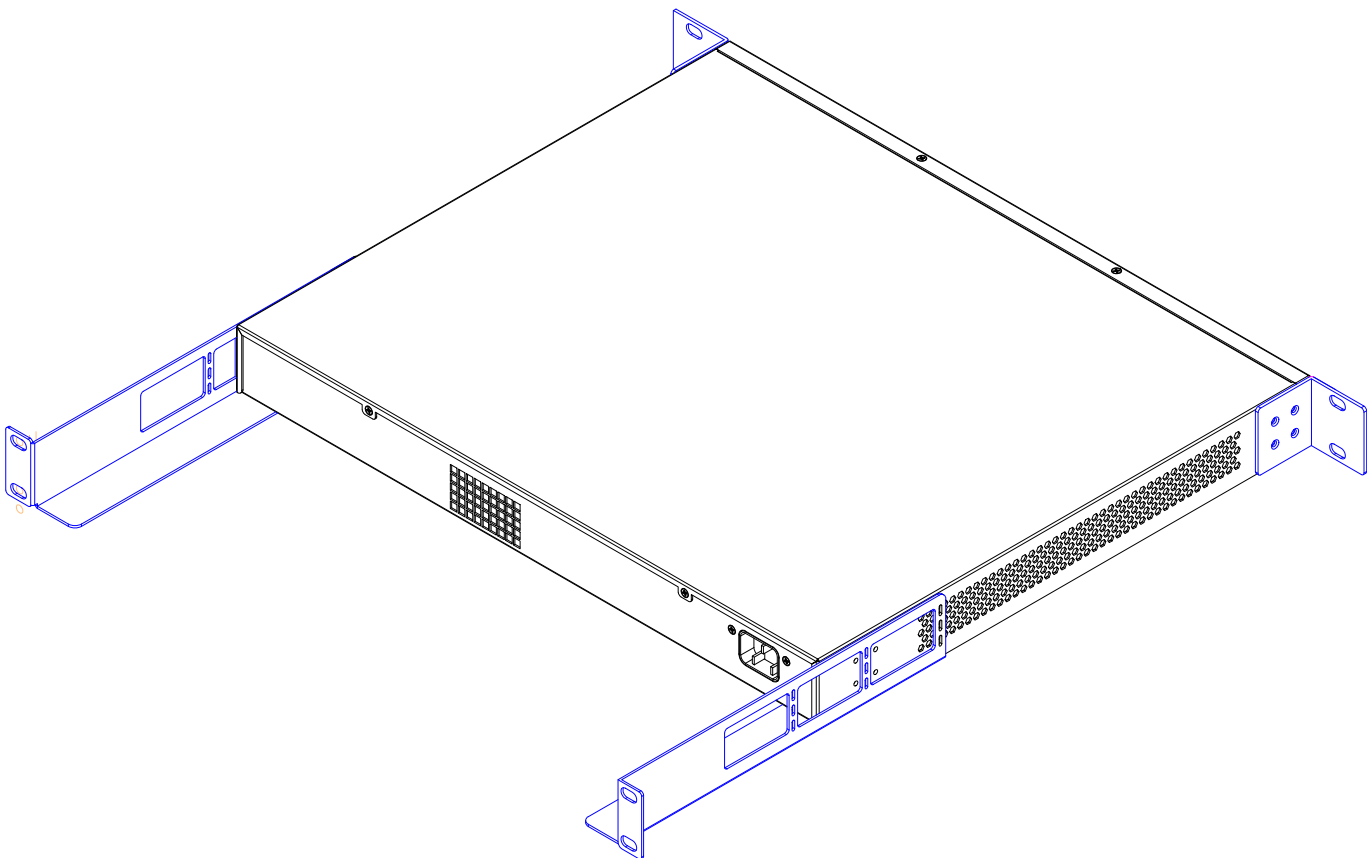
LANCOM GS-3652XUP 61879

LANCOM GS-3252P 61876

Note XS-5116QF, XS-6128QF, GS-4554XP and GS-4530XP have a rackmount kit already included in the shipping content

Item number

LANCOM Switch Rack Mount L250 61432



LANCOM Systems GmbH
 Adenauerstr. 20/B2
 52146 Wuersele | Germany
 info@lancom.de
 www.lancom-systems.com

LANCOM, LANCOM Systems, LCOS, LANcommunity and Hyper Integration are registered trademarks. All other names or descriptions used may be trademarks or registered trademarks of their owners. This document contains statements relating to future products and their attributes. LANCOM Systems reserves the right to change these without notice. No liability for technical errors and/or omissions. 03/23