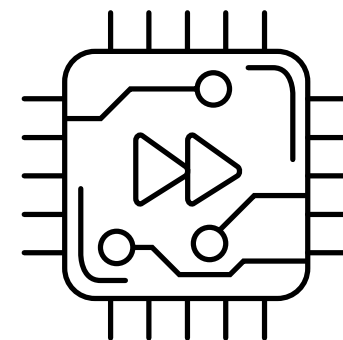


Mounting Instructions

LANCOM AirLancer

O-360D-5G



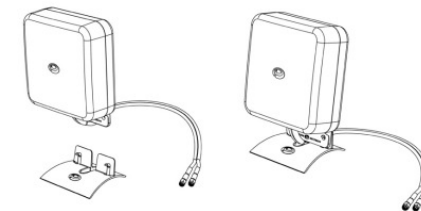
General notes

The AirLancer O-360D-5G comes with materials for wall and pole mounting. The antenna must be installed so that the antenna outputs point downwards. The antenna has SMA connectors to which LANCOM indoor mobile routers can be connected. The screw connections should not be exposed to the weather.

1. Placement on the desk or windowsill

Basically, outdoor installation provides better results. However, if this is not possible, the antenna can also be installed indoors. For this purpose a stand is included in the scope of delivery. The cable has to be led through the stand - as shown in the illustration - before the stand is clicked onto the antenna.

If the antenna has to be removed from the stand, hold the foot from below and the antenna from above. Move the foot slightly back and forth to allow the bolts to slide out of the mounting holes. This allows the antenna to be easily removed from the stand.



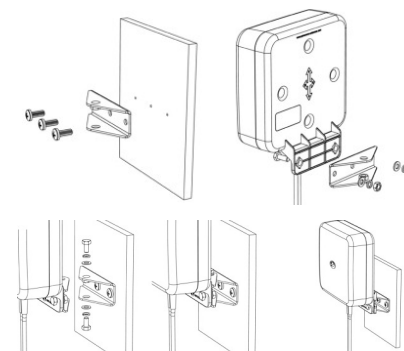
2. Wall mounting

First fix the bracket to the wall with suitable screws as shown.

Then attach the second bracket to the antenna with the screws and washers provided as shown.

Finally fix the antenna with the screwed bracket to the bracket on the wall.

The antenna can be aligned horizontally to the right or left using the angle.

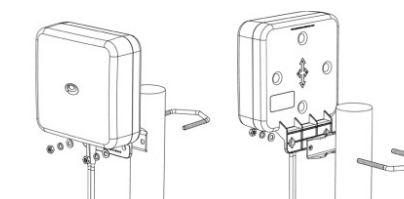


3. Mast mounting

With the included U-bracket the antenna can be mounted on masts with a diameter of 20-50 mm.

The U-bracket is placed around the mast. The counterpart of the U-bracket is placed congruently on the holes of the antenna holder.

The U-bracket is now passed through the holes and tightened together with the supplied washers using the nuts provided.



Important information

Electrical and Electronic Equipment Act

Please do not throw electrical and electronic scrap into the household waste, it cannot be recycled there. Make sure that your electrical and electronic waste is disposed of in accordance with the currently valid guidelines of your country.

Correct handling of antenna cables

Antenna cables are sensitive HF cables. When laying them, it is therefore important to ensure that the cables are not kinked and that they are bent as little as possible, otherwise the performance of the antenna may be impaired. Likewise, the antenna cables should not be wound too tightly. Antenna cables must not be shortened.

Safety instructions

Parts of the antenna can be electrically conductive. Direct contact with power lines can result in serious injury or even death. The antenna and also a mounting mast must not be installed in the immediate vicinity of a power line. If the antenna has been mounted in a raised and/or exposed position, or if there is a risk of lightning strike, make sure that the antenna is mounted by a professional company and that it is properly grounded according to current standards.

Technical data		
Number of integrated antennas	2 (MIMO system)	
Frequency range	689 - 960 MHz, 1,710 - 3,800 MHz	
Supported bands	3G / 4G / 5G	
Antenna characteristics		
Radiation characteristics	Omnidirectional radiator	
VSWR	< 2.0:1	
Gain (without cable loss)	698 - 960 MHz	2 dBi
	1,710 - 2,170 MHz	5 dBi
	2,200 - 3,800 MHz	4 dBi
Correlation coefficient	< 0,2	
Isolation	> 20 dB	
Max. input power	20 watts	
Impedance	50 Ω	
Mechanical data		
Size	155 × 155 mm (height x width)	
Weight	1100 g (incl. mounting kit)	
Operating temperature	-30 °C to +80 °C	
Color	RAL 9010 (white)	
Material	UV-resistant plastics	
Intrusion protection	IP65	
Mounting options	Can be set up with a stand, e.g. on window sills; wall mounting; pole mounting with U-bracket (Pole diameter 20 - 50 mm)	
Cables, connectors	2 x CS29 (coax cable), diameter: 5 mm, length: 5 m; connectors: 2 x SMA (m)	
Product		
Warranty	2 years for AirLancer and accessories	
Item number	61233	
Scope of delivery	Antenna, stand, mounting material for wall and mast mounting, mounting instructions	

LANCOM Systems GmbH

Adenauerstr. 20/B2

52146 Wuerselen | Germany

info@lancom.dewww.lancom-systems.com
LANCOM
SYSTEMS

LANCOM, LANCOM Systems, LCOS, LANcommunity and Hyper Integration are registered trademarks. All other names or descriptions used may be trademarks or registered trademarks of their owners. This document contains statements relating to future products and their attributes. LANCOM Systems reserves the right to change these without notice. No liability for technical errors and/or omissions. 111705 10/22