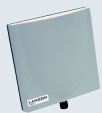




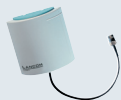
... connecting your business



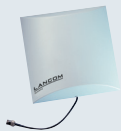
AirLancer Extender outdoor antennas

Weather-proof antennas for outdoor use





- Directional antennas for wireless bridges and wide-angle antennas for campuses
- Complete sets include cables and mounting materials
- Optional extra – lightning protection for outdoor AirLancer Extender antenna installations



AirLancer Extender outdoor antennas are the optimal WLAN add-on for interconnecting cabled LANs via wireless bridges or for establishing pico-cell networks on campuses, hotspots, or in large halls, for example. An optional extra recommended for outdoor use: The AirLancer Extender SA-5 lightning protection.



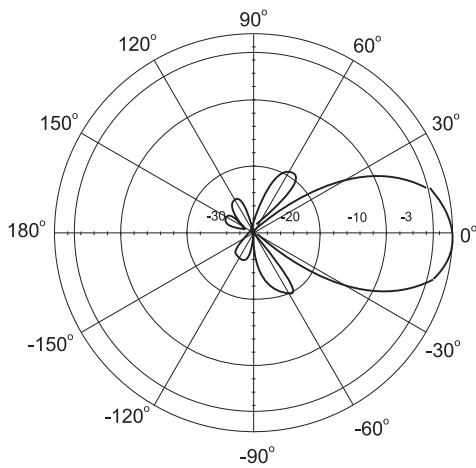
AirLancer Extender outdoor antennas

| | AirLancer Extender O-30 | AirLancer Extender O-70 | AirLancer Extender O-18a |
|--|--|--|--|
| |  |  |  |
| Designed for | 14-dBi-directional antenna for outdoor use | Pico-cell antenna for indoor and outdoor use | 18dBi-directional antenna for indoor and outdoor use |
| Frequency range | 2400 – 2483.5 MHz (ISM) | 2400 – 2483,5 MHz (ISM) | 5.25 – 5.875 GHz |
| Antenna gain | 14 dBi | 8.5 dBi | 18 dBi |
| Range (Point to Point) | up to 3000 m | up to 1300 m | up to 8000 m |
| Data rate | up to 108Mbps | up to 108Mbps | up to 108Mbps |
| Directivity pattern | directional 30° (3 dB beamwidth) | directional 70° (3 dB beamwidth) | 18° horizontal, 18° vertical |
| Polarization | vertical, linear | vertical, linear | vertical, linear |
| VSWR | 1.4 : 1 | 1.5 : 1 | 1.5 : 1 |
| Front to back ratio | > 15 dB | > 12 dB | 25 dB |
| Impedance | 50 Ohms | 50 Ohms | 50 Ohms |
| Mounting | for wall or pylon mounting (pylon ø 40 – 60 mm) adjustable | | |
| Dimension (H x W x D) | 240 x 240 x 60 mm Mounting ca. 100 x 55 x 45 mm | 125 x 120 x 50 mm Mounting 100 x 85 x 75 mm | 215 x 200 x 48.5 mm |
| Wiring and connectors | 9 m ULA168 (N connector male – reverse SMA female) jumper-cable 0.10 m (Reverse SMA male – proprietary connector for AirLancer MC-11, MC-11b, FCC-conform) RP-SMA terminator | 6 m ULA168 (N connector male – reverse SMA female) jumper-Kabel 0.10 m (Reverse SMA male – proprietary Anschluss für AirLancer MC-11, MC-11b, FCC-conform) RP-SMA terminator | 1 m ULA168 RP-SMA jack to N plug ; 3 m HDF 400 N jack to N plug (prepared for integration of AirLancer Extender SA-5) RP-SMA terminator |
| Operational environment | - 20 °C to +60 °C, up to 100 % humidity at 25 °C | - 10 °C to +55 °C, up to 95 % humidity (non condensing) | - 40°C to +80°C, up to 95% humidity at 25°C (non condensing), wind speed up to 216 km/h |
| Optional connections | Direct to the Reverse SMA connector of the main antenna connector of LANCOM Wireless access points. When combining the AirLancer Extender antennas with the OAP Wireless, the supplied cables are not suitable for use with the SMA connector. The access point is supplied with a 1m adapter cable. | | |
| Approvals/standards | The antenna is suitable for operation with LANCOM Wireless base stations only. The overall system meets CE standards and may be operated under strict observation of the guidelines for the use of frequency ranges and transmission power. For this purpose, LANCOM access points feature a setting for transmission power. Further information is available in the LANCOM Reference Manual and at www.lancom.de | | |
| Service | Warranty 2 years Support via hotline und internet | | |
| Item no. | 60478 | 60469 | 61210 |
| Accessories | | | |
| Cable | AirLancer cable NJ-NP 3m, 6m, 9m – extension cable item no. 61230, 61231, 61232 | | |
| AirLancer Extender SA-5-Surge protector | | | |
| |  | | |
| Application range | 5-GHz surge protector | | |
| Impedance | 50 Ohms | | |
| Max. power | 200 Watts | | |
| Insertion loss | < 0.1dB | | |
| Conducted voltage | 350 V DC | | |
| Connectors | Standard N plug and N jack, fixation for ground line | | |
| Dimensions | 75 x 25 x 35 mm | | |
| Operational environment | -20° to +60°C, up to 100% humidity at 25°C | | |
| Item no. | 61212 | | |

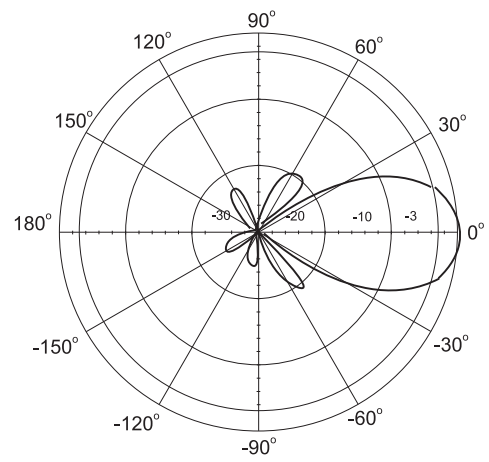
AirLancer Extender outdoor antennas

AirLancer Extender O-30

Horizontal Pattern

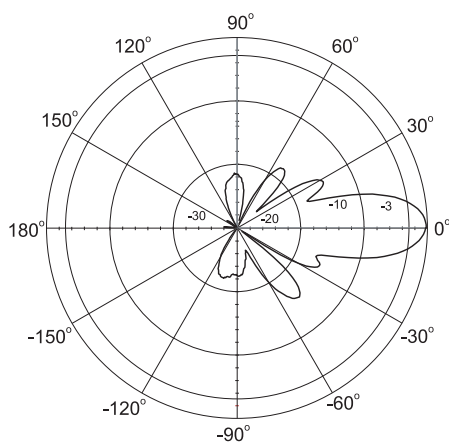


Vertical Pattern

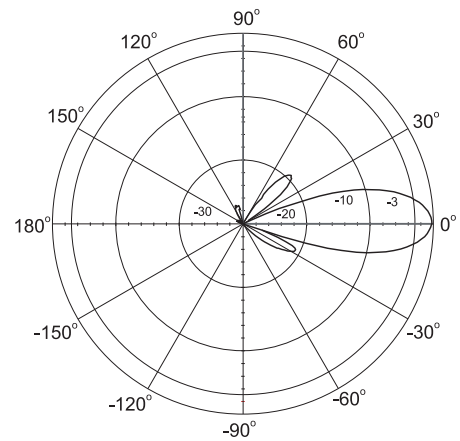


AirLancer Extender O-18a

Horizontal Pattern

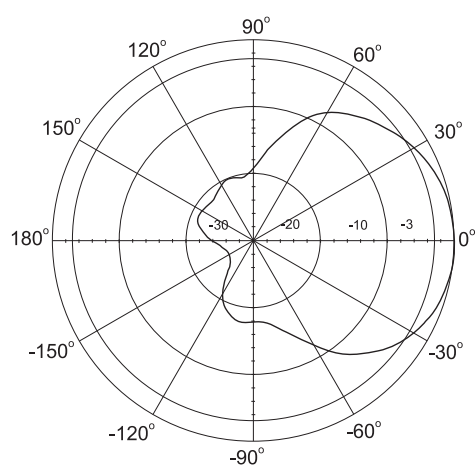


Vertical Pattern

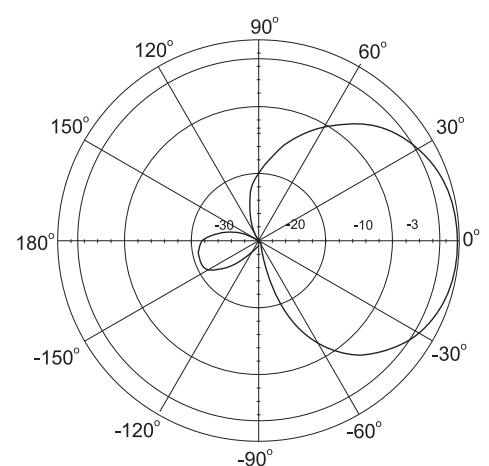


AirLancer Extender O-70

Horizontal Pattern



Vertical Pattern



LANCOM, LANCOM Systems und LCOS are registered trademarks. Other names mentioned may be trademarks or registered trademarks of their respective owners. Subject to change without notice. No liability for technical errors and/or omissions. 08/06